



SC140D INSTALLATION INSTRUCTIONS



IMPORTANT INSTALLATION INFORMATION:

AT ALL STAGES OF THE INSTALLATION ENSURE THE SPRING CARRIER ON THE RUNNER IS ENGAGED!

Before you close the unit ensure the spring carrier is loaded on your soft close runner. Failure to do so may cause damage to your runners.

Figure 1a - Demonstrates the spring carrier in the engaged position. This is the correct positioning and the bin is ready to be closed and used.

Figure 1b - Demonstrates the spring carrier in an disengaged position. To move into engaged position, move the white spring carrier along its runner until it clicks into location demonstrated by arrow in Fig 1b. Alternatively, if discovered after installation is complete then you may also try the following: push the drawer to the firmly closed position. Push the disengaged side of the door firmly until you hear a click from the runner re-engaging. The runner should now close fully under normal operation and be positioned as shown in Fig 1a.

BENCH OVERHANG CLEARANCE:

This Hideaway Soft Close bin model has been designed with over extension drawer runners which allow for a bench overhang of up to 40mm, allowing the bucket to come clear of the bench.

READ ALL INSTRUCTIONS BEFORE INSTALLING THIS BIN UNIT. FAILURE TO INSTALL THE BIN CORRECTLY MAY VOID WARRANTY.

Step 1 - Unpack Hideaway Bin

- Unpack your Hideaway Bin and take the bucket out of the box.
- Remove the brown box from inside the bucket and open where indicated.

Step 2 - Remove the door bracket

- Carefully cut the plastic wrap from around the unit.
- Remove the door bracket (wrapped in brown paper) from the collar.
- Remove Care and Maintenance instructions, screw pack and liner holder.
- Please leave the Care and Maintenance Instructions inside the bucket for the owner.
- **NOTE: VERY IMPORTANT** - Do not remove the runners from the top mounting panel

Step 3 - Remove the friction-fitted lid from top mounting panel (fig 3a, 3b & 3c)

- Place the top mounting panel upside down on a flat surface with the runners facing upwards.
- To remove the friction-fitted lid - push firmly down on the lid at the back of the unit (fig 3a).
- Push firmly, distributing pressure to both sides of lid to ensure the lid clears the hooks located on the left and right hand sides of the top mounting panel (fig 3b).
- Simultaneously, pull the friction-fitted lid forwards until it pulls clear of the top mounting panel (fig 3c).
- Pull the foam pad clear of the top mounting panel. Set aside, leaving the plastic cover on.

Step 4 - Install your bin within your cupboard / carcass

- Position the top mounting panel (now clear of the friction-fitted lid and foam pad) inside, beneath your carcass / shelf.
- Position in the centre of the carcass. Mounting holes are located in the top mounting panel for fixing. Secure the top mounting panel into place with the Surefix screws provided. Any additional mounting holes added will null and void warranty.

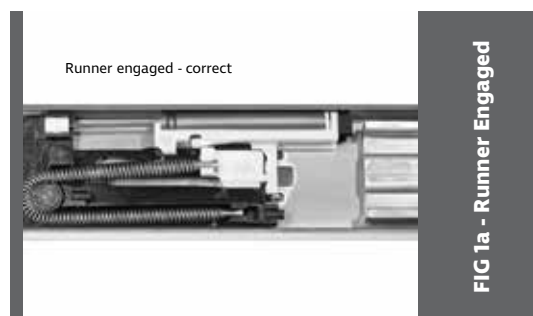


FIG 1a - Runner Engaged

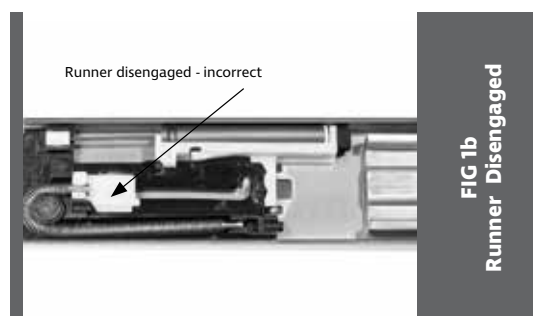


FIG 1b
Runner Disengaged

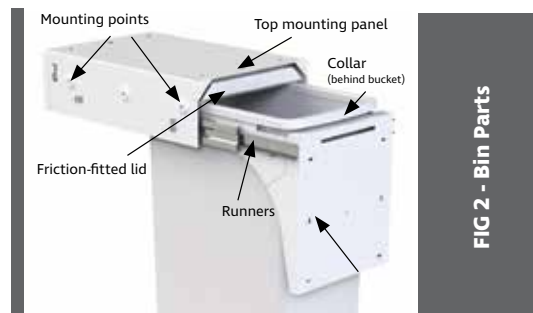


FIG 2 - Bin Parts

Step 5 - Side mounting installation within your cupboard / carcass

- Your unit has additional side mounting points, as shown in Fig 4. If side mounting, the internal space of the cabinet must be within the advertised width.
- The side mounting points are to be secured with the Surefix screws and washers provided.

Step 6 - Reinstall the friction-fitted lid and foam into top mounting panel

- Rest the foam on top of the friction-fitted lid - the flat side of the friction-fitted lid should be towards the ground with the folds facing upwards.
- Slide the friction-fitted lid and foam inside the top mounting panel, stopping just before the rear hooks. (Note: the large fold on the friction-fitted lid sits at the front of the unit, and the rear of the lid has the slots which reconnect with the hooks located on the top mounting panel at the rear).
- Simultaneously, with one hand, push firmly up on the back of the friction-fitted lid, push the lid above the hooks and drop into location. Whilst this is happening, with the other hand push the front of the lid upwards to ensure it rests on the metal support (located at the front of the top mounting panel - fig 3c).
- The lid should move up and down slightly with ease, indicating correct installation.

Step 7 - Attach the door bracket (fig 5a, 5b)

- Align the door bracket to the collar and lightly tighten in place using the nuts provided.
- NOTE: Lightly tighten nuts to allow fixing of door front.

Step 8 - Fix cabinet fascia to door bracket of bin

- Place a 4mm self tapping screw into the centre hole of the door bracket - ensure the point of the screw is only protruding approx 3mm.
- With the bin closed fully, align the front fascia of the cupboard against the door bracket. A small hit with your hand to the location of the screw will help provide a drilling indication.
- Lie cabinet fascia on a flat surface with the internal part of the door facing upwards. Using the drilling mark made to the centre point on the cabinet fascia, drill a hole to hold centre screw (if required for ease of installation, remove the door bracket from the unit once again. Attach the door bracket with the centre screw to the cabinet fascia and then reattach the door bracket to the collar of the bin once again.)
- Place the cabinet fascia against the door bracket and tighten the centre screw. Check the positioning and align.
- Proceed to marking, screwing and tightening the remaining screws. Vertical and horizontal adjustment is provided on the door bracket.
- To adjust the angle of your kitchen fascia: loosen or tighten the nuts on the door bracket until desired angle is achieved. The centre nut provides pivot. Once the desired angle is achieved, firmly tighten all nuts on the door bracket.

Step 9 - Place bin buckets into checkouts on collar

- Fully extend the runners.
- Place bucket into the checkouts provided on the collar. The back bucket must sit over the lip on the back of the frame. If the bucket does not sit within these checkouts the unit will not close properly.

Installation complete!

Note to customer/home owner:

The lid is designed to seal with the use of a liner (bag) and a liner holder.

HIDEAWAY NEW ZEALAND 09 426 7456
info@hideawaybins.co.nz / hideawaybins.co.nz

HIDEAWAY AUSTRALIA 1800 042 642
info@hideawaybins.co.nz / hideawaybins.com.au


Hideaway

MEMBERS AND SUPPORTERS OF


NKBA
National Kitchen & Bathroom Association - NZ


NEW ZEALAND
MADE



FIG 3a

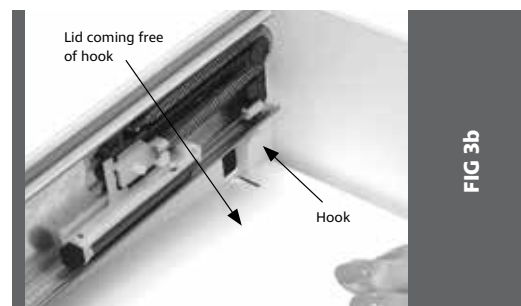


FIG 3b

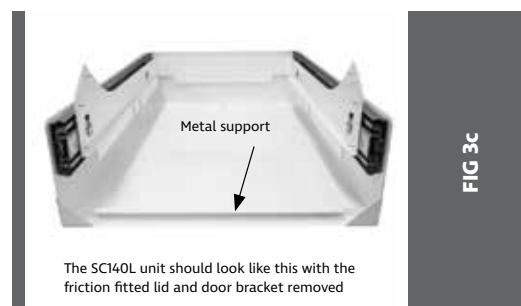


FIG 3c

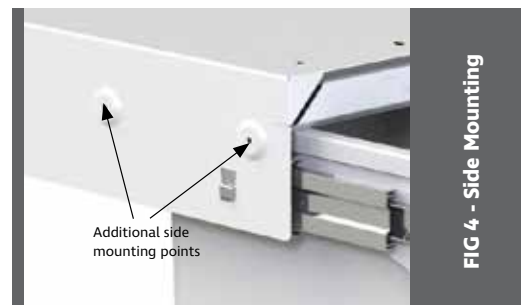


FIG 4 - Side Mounting

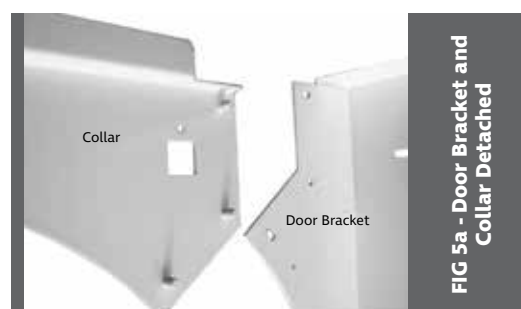


FIG 5a - Door Bracket and Collar Detached



FIG 5b - Door Bracket and Collar Attached