

2026



*Sort, store and recycle with  
a Hideaway Bin.*

**Concelo.**

BY HIDEAWAY

***New Zealand Made Award Winning Bins***

Scan to download  
e-version of brochure





**HIDEAWAY™ BINS**  
EFFICIENCY, SUSTAINABILITY  
AND LIFESTYLE



**Manage, sort and store your waste, recycling and laundry with Hideaway.**

We are industry leaders in designing practical hidden storage systems that suit your lifestyle. Hideaway Bins offer solutions for everything from hygienically disposing of waste and sorting your recycling to separating and storing your laundry.

A Hideaway Bin solution will help you create sustainable waste and recycling practices in your household with as little impact to your lifestyle as possible. A key to improving recycling and reducing waste is having a good waste management system.

**Did you know that your bin is one of the most used appliances in your home?**

With that in mind, it's important to choose a bin system that's simple to use, durable, easy to clean and one that makes your everyday waste and recycling routine effortless.

Hideaway Bins are all made in New Zealand, and have built an enviable reputation for quality and durability.

Hideaway's intelligently designed ranges include: the award winning Concelo® range, Hideaway Compact and Hideaway Compact Floor Mount. With each of the ranges offering distinctive features, there is sure to be a Hideaway Bin to suit the requirements of any residential or commercial project.

To assist you in choosing the right bin to suit your lifestyle, see the Waste Management Guide in this brochure and decide which Hideaway Bin is the right solution for you.

Find out more by visiting:  
[hideawaybins.co.nz](http://hideawaybins.co.nz)



kitchen



bathroom



laundry



commercial



motorhome



recycling station

WHAT SEPARATES **HIDEAWAY BINS** FROM THE REST?



**BENCH HEIGHT INSTALLATION**

Most Hideaway Bins have the option of being mounted to the top of kitchen cabinets directly under the benchtop. This means the bins are at the optimal height for clearing waste directly off a benchtop. This reduces the amount of bending required when disposing of waste - remember, your waste bin is one of the appliances you use most in the kitchen.



**BUILT-IN ACTIVE LID**

Hideaway is the pioneer of waste bins with a built-in self closing lid. When you have a handful of rubbish, you don't want to be juggling between opening a door and lifting a lid while trying not to spill rubbish.

The Concelo range has an Active Lid mounted to the top of the bin system inside the cabinet. The Active Lid closes itself onto the buckets when the bin is closed to control odours and moisture while still keeping your hands free.



**EASY ACCESS TO REAR BUCKET**

All Hideaway Bins are designed with over extension runners. This makes it easy to remove or empty the bin without having to compromise on space or ergonomics. The rear bucket can be removed independently of the front bucket from beneath the bench top.



**FLEXIBLE MOUNTING OPTIONS**

Hideaway Bins are designed with a range of mounting options to suit the environment they are installed within. Top mounting for easy access, side mounting for additional support and floor mounting for flexibility in compact spaces.

# WASTE MANAGEMENT GUIDE



## HOW MANY BUCKETS?

The number of buckets required depends on how many waste streams the waste needs to be separated into, and where those waste streams go.

Check with your local council: what is collected by local councils now, and what is planned for the future? Some councils use a commingled recycling system, while others separate recycling. Many councils are introducing organic (food scrap) collections in the future.

Consider your lifestyle – do you want to home compost food scraps? Would you like to separate soft plastics for recycling?



## BIN PLACEMENT

Consider where waste is generated in your home, and where space is available to collect waste.

- **60-70% of all household waste is generated in the kitchen**, making it critical to consider the optimal waste management system for this area.
- Will all kitchen waste buckets be combined in one bin unit or be separated into two bin units? Using two bin units allows greater design flexibility.
- Consider ergonomics: keep in mind the bin is used 30+ times per day. Installing at bench height is recommended.
- Waste is also generated in the bathroom, and this typically includes items that can be recycled.



## FEATURES OF BIN SYSTEM

An important part of the waste management equation is a durable, flexible and easy to clean bin system for your home.

Dealing with rubbish is dirty and smelly. To combat this, Concelo bins are easy to clean, virtually eliminating troublesome dirt traps, which can cause maintenance issues later if left unchecked. Concelo bins also have an innovative hands-free Active lid system to control odours and moisture.



Concelo's Clip'n'Clean System. See page 12 for more info.

## WHAT SIZE BUCKET?

Calculate the volume of waste your family produces each week:

Based on 60 litres of waste per person, per week, categorised into: landfill, recycling, glass and compost.

**X EMPTIED EXAMPLE:** shows a 4 x 16L bin system, and how often would you need to empty your bin system each week. Separating your waste into more collection streams increases recycling and means fewer bin empties.

Note: Co-mingled recycling volume consists of Paper/Card (16%), Cans (9%), Plastic (16%).

Consider a quad bucket system to separate your waste into the different collection streams. See next page for more info.

No. PEOPLE	X EMPTIED	COMPOST	GLASS	LANDFILL	RECYCLING
60L (each)	100%	7%	11%	43%	39%
1 (60L)	1x (64L)	4L	6.5L	26L	23.5L
2 (120L)	2x (128L)	8L	13L	52L	47L
4 (240L)	4x (256L)	16L	26L	104L	94L
6 (360L)	6x (384L)	24L	39L	156L	141L
8 (480L)	8x (512L)	32L	52L	208L	188L



CR600-413D-W with coloured liner holders



## SEPARATE WASTE & RECYCLING

## CONCELO RECYCLING UNITS

With many councils collecting 3 or 4 separate types of waste and recycling, there is an increasing need for an easier way to separate waste conveniently within the kitchen.

Introducing the new Concelo CR600 models, our first ever 4-bucket-in-one waste bins. These have been developed to allow waste to be easily separated into four waste and recycling buckets in one convenient unit that fits into a standard 600mm-wide kitchen cabinet. Available in a range of bucket sizes with up to 64L total capacity.

Alternatively, some Concelo models can be stacked in a cabinet to provide a 4-bucket solution in a narrow 350 or 400mm cabinet.

In larger kitchens a small twin bin can be positioned next to the sink, for landfill and food scraps, while a larger bin can be positioned elsewhere in the kitchen or scullery for recycling.

See pages 18-20 for Concelo range.



## COLOUR CODED LINER HOLDERS

Create a simple, sustainable waste management system in your home or office with the new colour coded Hideaway Liner Holders. These liner holders are compatible with Concelo and Compact bucket sizes: 13L, 15L, 16L, 20L and 35L. Use these coloured liner holders to correctly sort your waste and recycling streams.

Available to purchase as a separate accessory. See page 36 for accessory details.



Please note: Check with your local council or waste collection service for the specific colours used in your area. Each region or council may use different colours for different waste streams eg blue can sometimes represent paper collection, rather than glass.



## HIDDEN RECYCLING STATION

CR350-135D-W  
CR350-213D-W

## COMMERCIAL RECYCLING

Sustainable recycling practices in the workplace begin with making your recycling solution easy to use, durable and hygienic while remaining design-focused.



### Hidden from sight

Recycling bins placed in walkways can look unhygienic and be a real eye-sore. Integrate a hidden recycling station into a commercial environment to ensure a professional workplace with design front of mind.

### Durability

Commercial environments are high use and very demanding. The Concelo range has been designed with quality materials to ensure the units withstand these challenges.

All Concelo plastic components are made from virgin material, which means the strength of the components is not compromised by using fillers. At the end of their life cycle, all polypropylene parts are fully recyclable to ensure minimal impact on the environment.

Concelo uses German-made soft close runners that are rated to 45kg and use an innovative mounting system to make runner servicing easier.

### Smart Design Features

With the large volumes of waste generated, hygiene and the control of odours is paramount within a commercial space. The Active Lid system controls odours and moisture and is hands-free, meaning minimum contact. The Clip'n'Clean system makes it much easier to clean and maintain hygiene standards.

See the Concelo range (page 18-20) for more details.



## COLOURED LINER HOLDERS TO SORT RECYCLING CORRECTLY



CR350-213D-C  
CR350-135D-C

# Concelo®

BY HIDEAWAY

MULTI-AWARD WINNING BIN RANGE

## CONCELO® REDEFINES WHAT YOU SHOULD EXPECT FROM YOUR MOST USED APPLIANCE

**Concelo, Hideaway's premium bin range and the new standard in waste bins and laundry hampers.**

The Concelo range is the result of seven years of research, development and testing. It builds on Hideaway's strong heritage of quality and innovation to create the next generation of premium hidden storage solutions.

The Concelo range has been designed to deliver a waste bin and laundry hamper without compromise. Every element of the range has been engineered and tested to ensure it delivers both the form

and function that should be expected from a premium home appliance.

Concelo boasts not just a clean design aesthetic, but its Clip 'n' Clean features help keep your bin looking and smelling clean.

Managing waste can be a challenge, but Concelo is the easiest bin in the world to keep clean, while its Active Lid helps control odours.

Concelo not only takes all the best features you would expect from Hideaway and improves them, it totally redefines what you should expect from your bin solution.



**reddot award 2019  
winner**



**AWISA 2018  
GOLD STAR WINNER**  
FOR INNOVATIVE TECHNOLOGY



Patents & Trademarks: [concelo.com/ip](http://concelo.com/ip)

"A sophisticated product solution, this kitchen waste bin convinces thanks to its automatic, odour controlling closing mechanism."  
- Judge's comment, Germany 2019

"Concelo is clever, smart, well designed and is superior to every other waste system on the market."  
- Judge's comment, Australia 2018

# CLIP'N'CLEAN SYSTEM

Concelo's unique Clip'n'Clean System creates a painless cleaning process in just 3 simple steps:

- 1 Effortless removal
- 2 Washing in warm soapy water
- 3 Reinstallation within moments

Concelo Easy Clean



Concelo Active Lid



# ACTIVE LID SYSTEM

Managing waste can be a challenge, especially the smell. Concelo overcomes this with its Active Lid designed to help control odours and moisture.

The Active Lid is hidden from sight at the top of the bin inside the cabinet, and drops down to close over the buckets when the unit is closed.

The motion of the lid is synchronized with the opening and closing action of the unit, which lets you keep your hands free to simply drop waste into the bin.

The Active Lid has been designed so that it can very easily be removed and re-installed with the help of a cleverly designed lid tool!

ACTIVE LID DROPS DOWN OVER THE BUCKET WHEN THE BIN IS CLOSED



## Concelo.

THE PERFECT WASTE SOLUTION FOR THE

# HOME OWNER

No more dirt traps!  
Clip'n'Clean components allow easy access to clean between the bin frame and door front.

Concelo.

A PREMIUM OPTION FOR THE

# DESIGNER

Give the homeowner a waste management system that functions effortlessly without compromising your modern kitchen design.



CREATE A WASTE AND RECYCLING SYSTEM WITHIN YOUR KITCHEN DESIGN BY STACKING MULTIPLE UNITS

## Bench height installation

Optimal height for clearing waste off the bench. No bending to place waste in buckets or remove buckets for emptying.

## SOPHISTICATED DESIGN FEATURES

A bin range with design front of mind. Sophisticated features, modern colour options and clean, concealed componentry.

Concelo in Arctic White makes it possible to have a premium bin system that matches ever popular white drawer systems. With easy clean components, it's possible to keep it looking crisp and white. While the Cinder colour matches the trend for dark grey kitchen components and cabinetry.

Concelo's versatile measurements for differing cabinet widths gives you the flexibility to choose a model that fits single, 50/50, 60/40 or 2/3 to 1/3 drawer spits to match design preferences.

See additional features on pages 12 and 13 that the homeowner will love when you specify Concelo.

Scan this code to view testimonials from kitchen designers who have used Concelo in their projects.

Concelo testimonials from Toni Roberts, director of Kitchen Architecture and Celia Visser, director of Celia Visser Design.

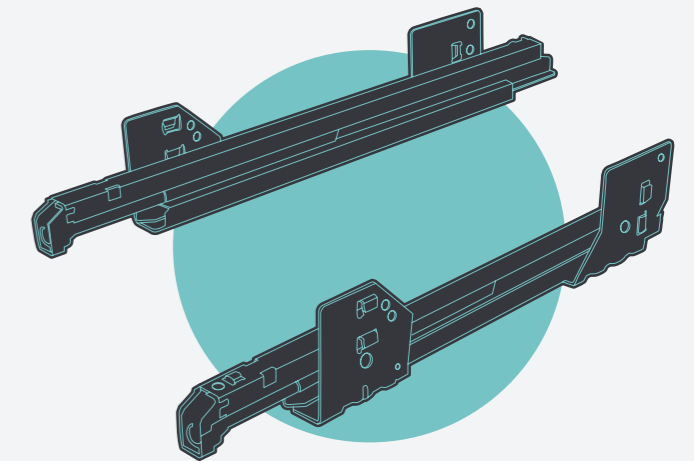


SCAN ME

## GERMAN SYNCHRONISED OVER EXTENSION RUNNER

Häfele Matrix Runners - smooth synchronised runners with fluid damper for seamless quiet closing action – 45kg dynamic weight rating. Beautiful, sophisticated runners, equal to other premium drawers.

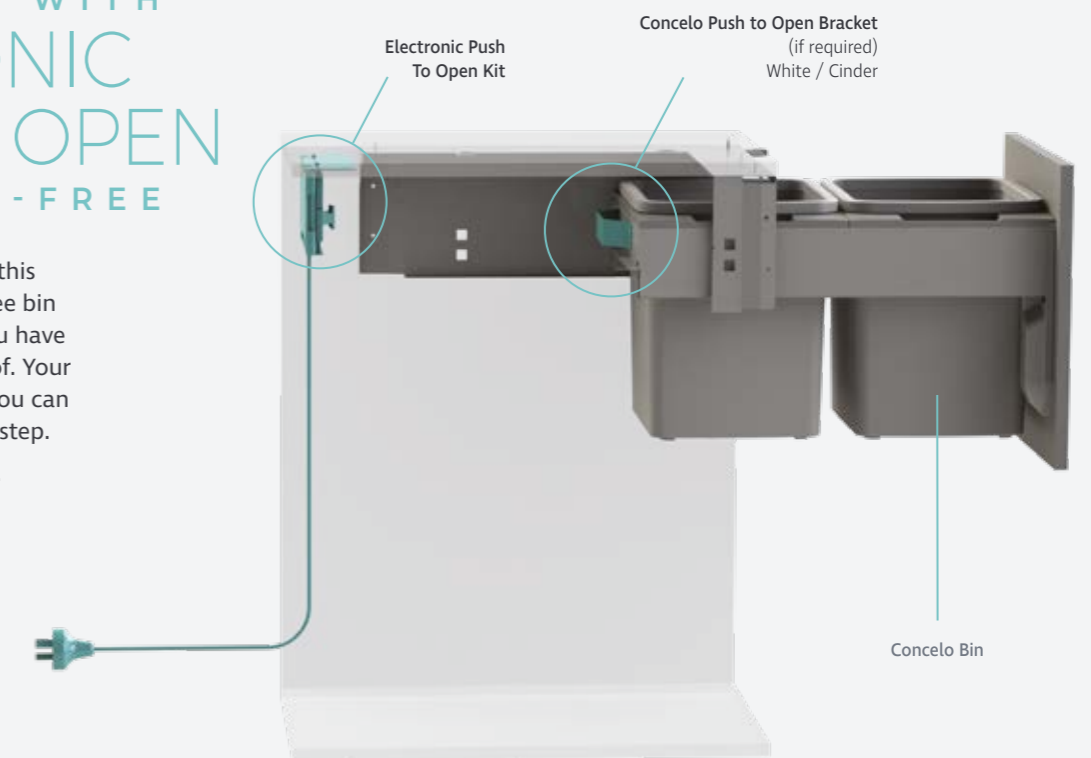
The over extension runner allows for easy access to the back bucket with bench height installation.



## COMPATIBLE WITH ELECTRONIC PUSH TO OPEN TRUE HANDS-FREE

Combined with the Active Lid, this provides the ultimate hands free bin which is so important when you have a handful of waste to dispose of. Your drawer front stays clean, and you can simply dispose of waste in one step.

See accessory pages for more information.



Concelo.

AN EASY INSTALLATION FOR THE

# TRADE

The trade spoke and Hideaway listened. Concelo® waste bins are designed for ease of installation.



kitchen



commercial



recycle station



10 YEAR WARRANTY

- 10 year residential  
- 2 year commercial

View how simple Concelo is to install



SCAN ME

Concelo testimonial from Richard Cripps, director of Kitchens by Design

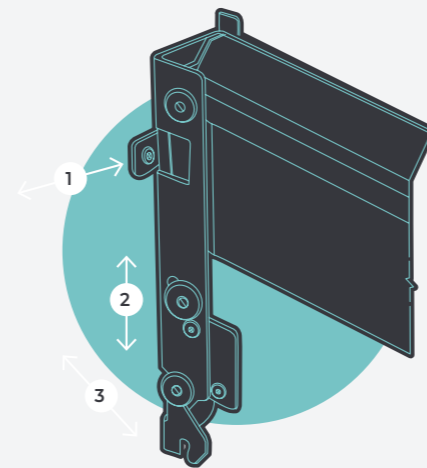


SCAN ME

## PRECISE SECURE DOOR ADJUSTMENT

2-piece door bracket design provides simple yet precise 6-way door adjustment with **LOCKING BOLT SYSTEM** to lock door position in place.

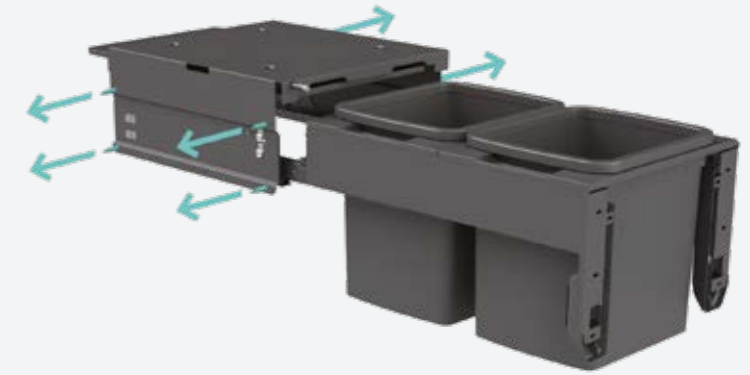
1. Horizontal adjustment +/- 2.5mm
2. Vertical adjustment +/- 2.5mm
3. Tilt adjustment +/- 0.75 degrees



## FLEXIBLE MOUNTING OPTIONS

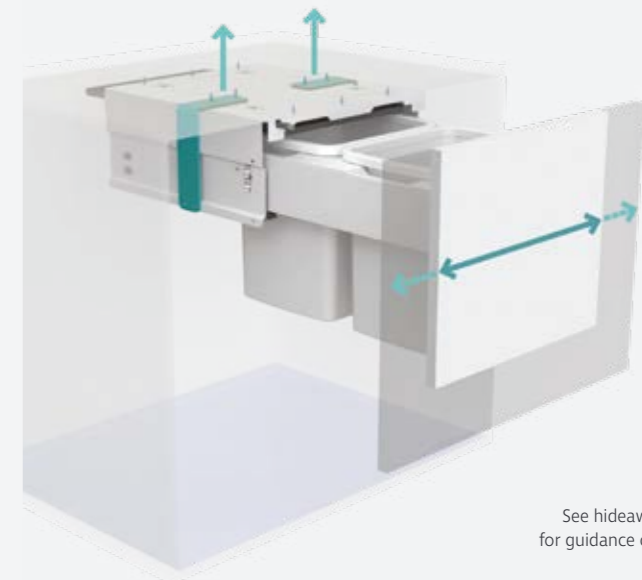
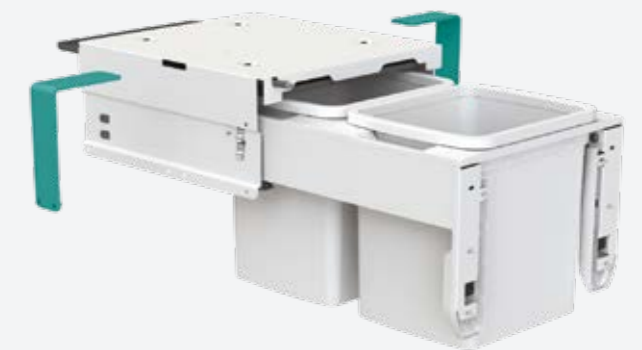
### System 32 Side Mounting

Concelo has been designed with simplicity in mind. The entire range uses one System 32 drilling pattern to mount to the sides of the cabinet using high strength Euro screws. All models fit straight into standard cabinet widths with 16mm sides.



### Top Mounting for over width cabinets

Concelo has been engineered to give design flexibility when needed. Concelo waste bins (excluding CR600 models) can be installed in over width cabinets by mounting to the top of the cabinet using the **CRTMB Top Mount Brackets**. This gives freedom to place the bin in the ideal position without compromising strength or rigidity, and no need for packers. This is particularly useful for retrofit situations.



## TECH SPECS FOR ALL MODELS

**Pull Type:** Door.

### Premium Soft Close Runners

Häfele Matrix runner. German made, 45kg soft close synchronized over extension runner with fluid damper, equal to premium drawers.

### Materials:

Frame – 1.0mm zinc treated steel, powder coated.

Drawer sides – aluminium, powder coated. Concealed runners.

Active Lid / Clip'n'Clean Trays / buckets / liner holders – recyclable food grade, polypropylene.

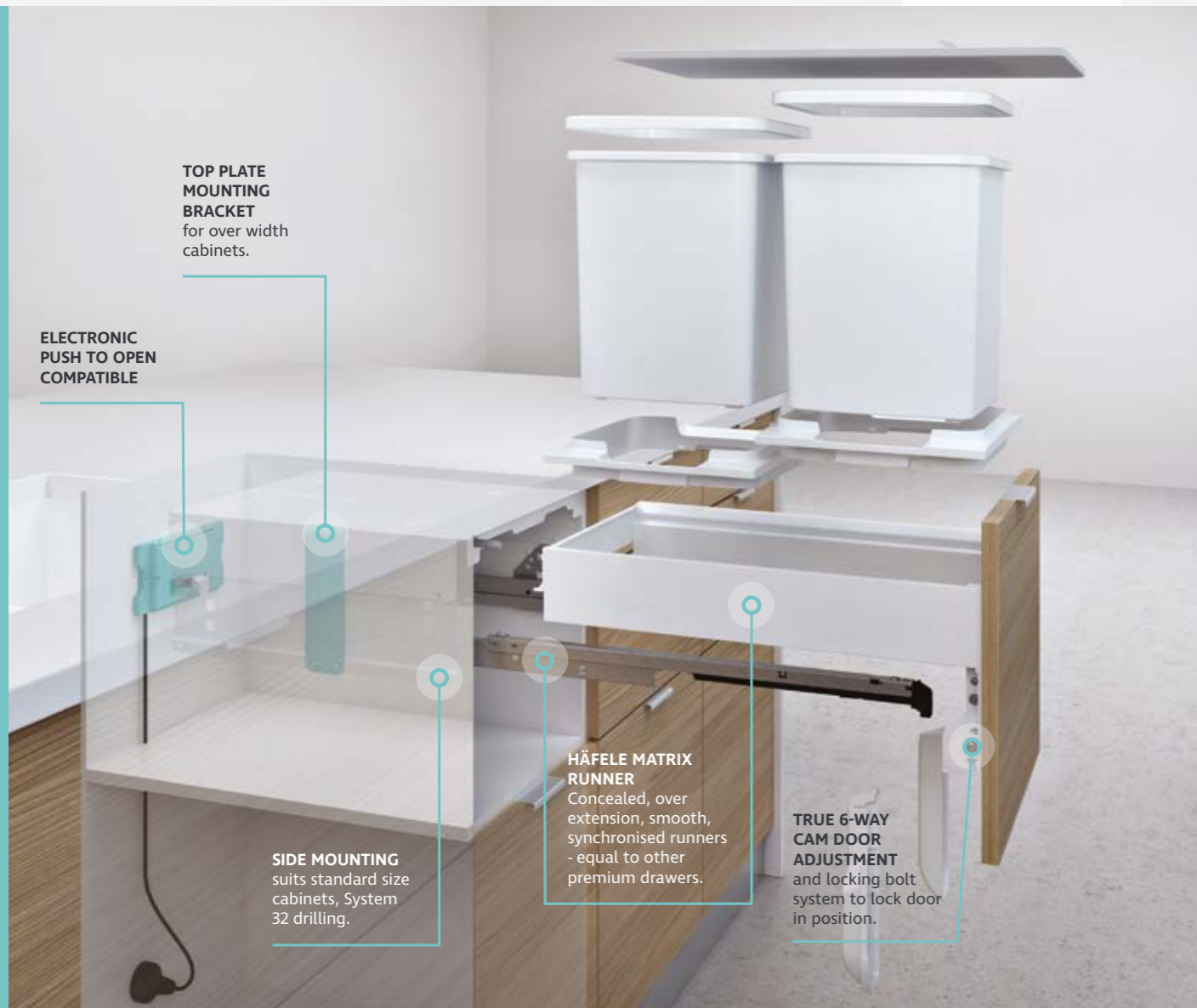
### Electronic Push To Open

Refer to accessory pages for more information.

### Bench Overhang Clearance

See pages 19 to 21 for technical information.

CONCELO WASTE BIN FEATURES



**TOP PLATE MOUNTING BRACKET** for over width cabinets.

**ELECTRONIC PUSH TO OPEN COMPATIBLE**

**SIDE MOUNTING** suits standard size cabinets, System 32 drilling.

**HÄFELE MATRIX RUNNER** Concealed, over extension, smooth, synchronised runners - equal to other premium drawers.

**TRUE 6-WAY CAM DOOR ADJUSTMENT** and locking bolt system to lock door in position.

# CONCELO® WASTE & RECYCLING

**BENCH OVERHANG CLEARANCE** Concelo Bins have been designed with over extension drawer runners which allow for a bench overhang of up to 40mm and 110mm on CR350-135D, allowing the back bucket to come clear independent of the front bucket. If more bench overhang clearance is required, please mount the bin lower in the cabinet. **See page 36 for details about our Concelo accessories.**

\*Allows for 16mm shelf. Assumes 16mm carcass.

## 2 x 13 LITRE *BUCKETS*

Suitable for Minimum\* Cabinet Width: 350mm

Minimum Internal Cabinet Dimensions: (WxHxD)mm 318 x 335 x 525

Designed to fit behind 50/50 drawer fronts. 2 x units can be installed within a 720mm standard carcass height providing a 4-bin recycling solution.



CR350-213D-W

26L  
CAPACITY



CR350-213D-C

## 2 x 20 LITRE *BUCKETS*

Suitable for Minimum\* Cabinet Width: 400mm

Minimum Internal Cabinet Dimensions: (WxHxD)mm 368 x 440 x 525



CR400-220D-W

40L  
CAPACITY



CR400-220D-C

## 2 x 15 LITRE *BUCKETS*

Suitable for Minimum\* Cabinet Width: 400mm

Minimum Internal Cabinet Dimensions: (WxHxD)mm 368 x 335 x 525

2 x units can be installed within a 720mm standard carcass height providing a 4-bin recycling solution.



CR400-215D-W

30L  
CAPACITY



CR400-215D-C

## 2 x 35 LITRE *BUCKETS*

Suitable for Minimum\* Cabinet Width: 450mm

Minimum Internal Cabinet Dimensions: (WxHxD)mm 418 x 640 x 525

Bucket features unique air vent\* system that allows trapped air to escape through vents as your bin liner is pushed into the bucket cavity.



CR450-235D-W

70L  
CAPACITY



CR450-235D-C

## 2 x 16 LITRE *BUCKETS*

Suitable for Minimum\* Cabinet Width: 350mm

Minimum Internal Cabinet Dimensions: (WxHxD)mm 318 x 415 x 525

Allows for the option of either a 2/3 to 1/3 or 60/40 split in drawers to match design preference.



CR350-216D-W

32L  
CAPACITY



CR350-216D-C

## 1 x 35 LITRE *BUCKETS*

Suitable for Minimum\* Cabinet Width: 350mm

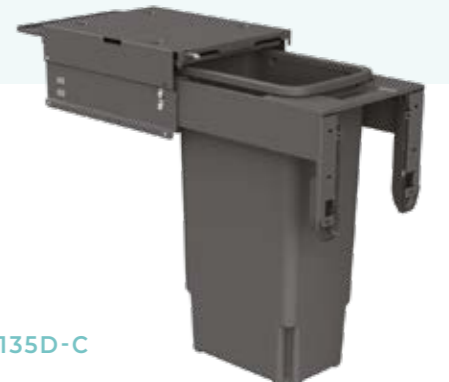
Minimum Internal Cabinet Dimensions: (WxHxD)mm 318 x 640 x 525

Bucket features unique air vent\* system that allows trapped air to escape through vents as your bin liner is pushed into the bucket cavity.



CR350-135D-W

35L  
CAPACITY



CR350-135D-C

# CONCELO® WASTE & RECYCLING

## 4 x 13 LITRE *BUCKETS*

Suitable for Minimum\* Cabinet Width: 600mm

Minimum Internal Cabinet Dimensions: (WxHxD)mm 568 x 335 x 525

Designed to fit behind 50/50 drawer fronts, providing 4-bin recycling solution. Active Lid sits over the front and rear left-hand buckets when closed.

52L  
CAPACITY



CR600-413D-W



CR600-413D-C

## 4 x 16 LITRE *BUCKETS*

Suitable for Minimum\* Cabinet Width: 600mm

Minimum Internal Cabinet Dimensions: (WxHxD)mm 568 x 415 x 525

Designed to fit behind 60/40 or 2/3 to 1/3 drawer front split, providing 4-bin recycling solution. Active Lid sits over the front and rear left-hand buckets when closed.

64L  
CAPACITY



CR600-416D-W



CR600-416D-C

## 2 x 13 + 2 x 16 LITRE *BUCKETS*

Suitable for Minimum\* Cabinet Width: 600mm

Minimum Internal Cabinet Dimensions: (WxHxD)mm 568 x 415 x 525

Designed to fit behind 60/40 or 2/3 to 1/3 drawer front split, providing 4-bin recycling solution. Active Lid sits over the front and rear left-hand buckets when closed.

58L  
CAPACITY



CR600-213-216D-W



CR600-213-216D-C

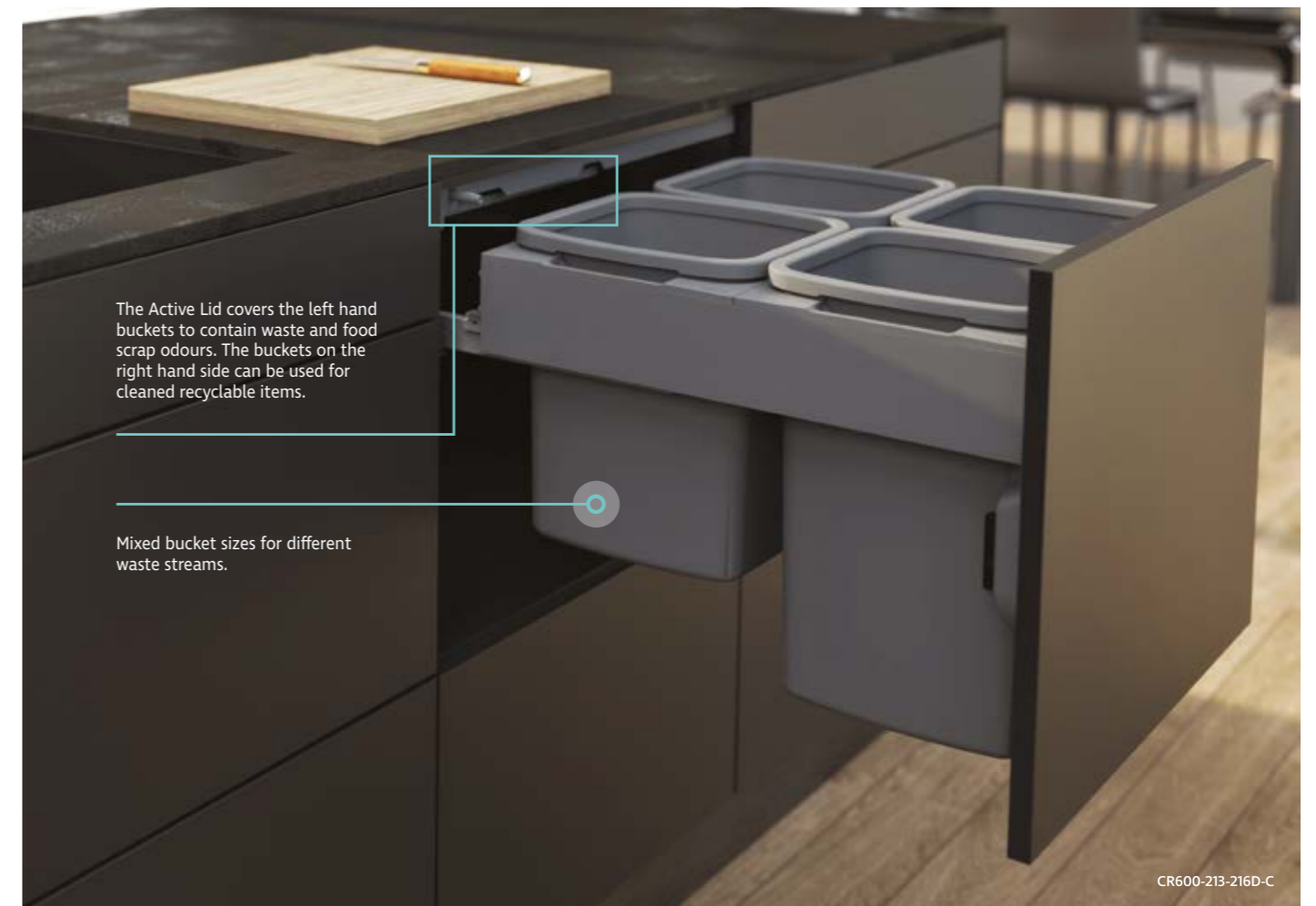
**BENCH OVERHANG CLEARANCE** Concelo Bins have been designed with over extension drawer runners which allow for a bench overhang of up to 40mm and 110mm on CR350-135D, allowing the back bucket to come clear independent of the front bucket. If more bench overhang clearance is required, please mount the bin lower in the cabinet. See page 36 for details about our Concelo accessories.

\*Allows for 16mm shelf. Assumes 16mm carcass.



Separate your waste streams using colour coded liner holders.

CR600-413D-W



The Active Lid covers the left hand buckets to contain waste and food scrap odours. The buckets on the right hand side can be used for cleaned recyclable items.

Mixed bucket sizes for different waste streams.

CR600-213-216D-C



# Concelo®

BY HIDEAWAY

## BATHROOM AND LAUNDRY RANGE

**Concelo® Bathroom and Laundry solutions offer a practical, well designed way to manage everyday tasks. Based on the same platform as the Red Dot award winning Concelo® Waste Bin, the expanded Concelo® range continues to lift expectations for what should be standard in bathroom and laundry storage. With both Laundry Hampers and a purpose designed Bathroom Bin, the system brings simple, reliable performance to the spaces you use every day.**

Whether you're concealing laundry, sorting linen, or managing everyday bathroom waste, Concelo® provides storage that works neatly behind closed doors. Traditional bathroom bins are often too small and awkward to use when placed on the floor, and laundry can be unsightly and difficult to manage when not properly contained. By bringing both hampers and bins into the cabinetry, the Concelo® range offers a cleaner, easier way to access, remove, and maintain your laundry

and bathroom waste. All components are lightweight, simple to lift out, and designed to perform reliably through regular use.

At the heart of the range is our innovative Clip'n'Clean tray, moulded from virgin polypropylene. It's fully removable, fully recyclable, and will never rust. Supporting both buckets and hampers, it makes cleaning simple, protects internal surfaces, and eliminates the usual dirt trap between the bin frame and door so it can be wiped clean with ease.

The system is further enhanced by a sleek Aluminium drawer profile which conceals and protects the runners while providing maximum protection against rust.

From generous 60L family sized hampers to twin 35L options for separating laundry, and now a purpose designed bathroom bin, the Concelo® Bathroom and Laundry Range offers a cohesive, high performance solution for both the laundry and bathroom.



## NEW SHALLOW DEPTH BATHROOM AND LAUNDRY OPTIONS

The Concelo® shallow depth Bathroom Bin and Laundry Hamper have been developed for cabinets where depth is restricted, such as bathroom vanities and wardrobes.

Using a premium 350mm runner and highly durable, rust-resistant construction engineered to withstand moisture and corrosion, these models bring the benefits of the Concelo® system: Clip'n'Clean, durability, and ease of removal; to spaces where traditional bins and hampers have not been able to fit.

Suitable for residential and commercial bathrooms, wardrobes, laundries, and campervans.



CRL435-135D-W

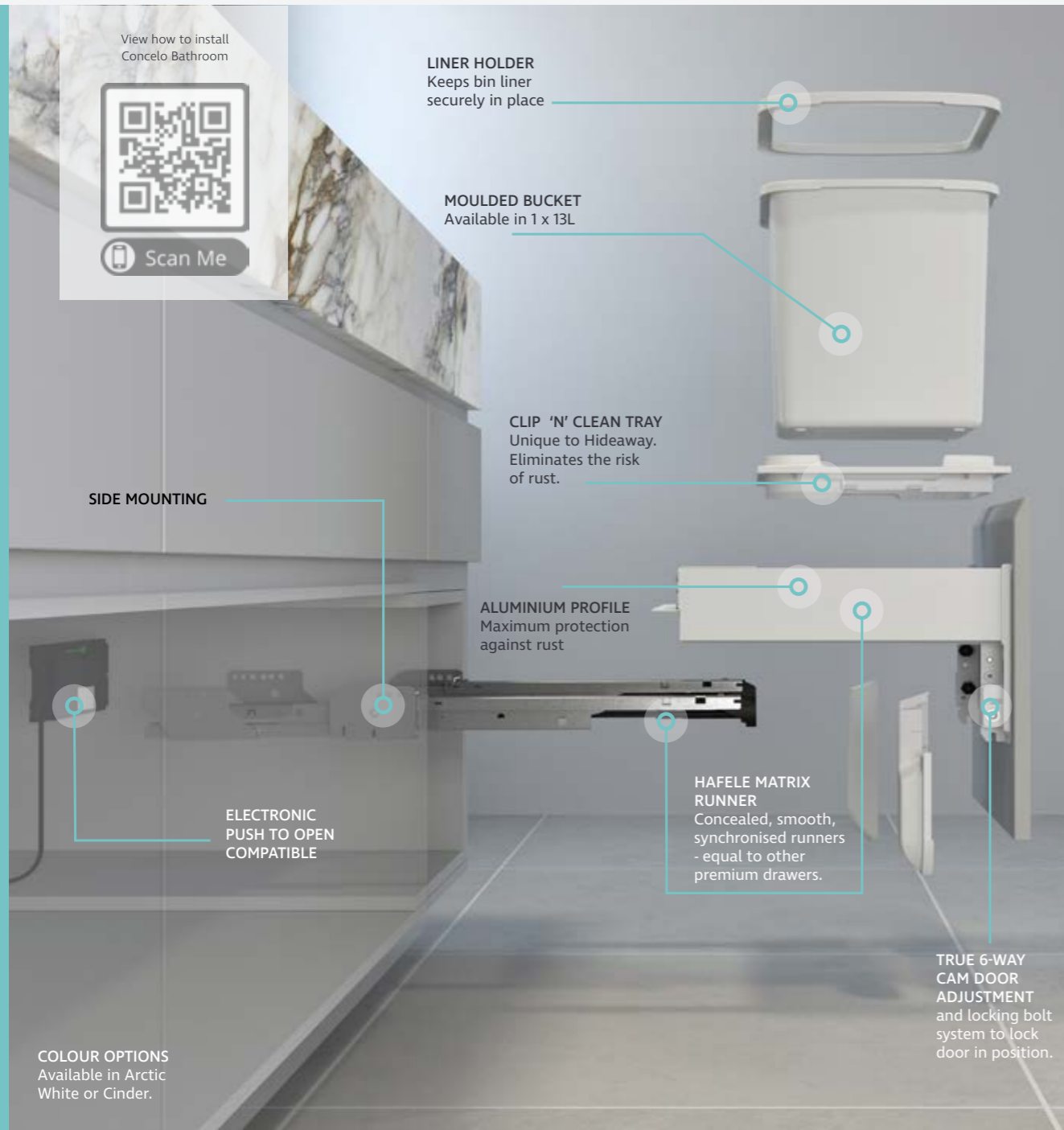
### ALUMINIUM PROFILE

- Conceals and protects runners
- Provides maximum protection against rust

### CLIP'N'CLEAN TRAY

- Moulded from virgin polypropylene for maximum durability - fully recyclable
- Supports buckets / hampers
- Will never rust





SUITABLE FOR:



bathroom



laundry



wardrobe



motorhome



10 YEAR WARRANTY

- 10 year residential  
- 2 year commercial

# CONCELO<sup>®</sup> SHALLOW DEPTH

## 1 x 13 LITRE *BUCKET*

Shallow Depth 350mm Runner  
Minimum Internal Cabinet Dimensions: (WxHxD)mm 303 x 303 x 364  
Runner - Side Mount, 350mm Length  
35kg Dynamic Weight Rating

13L  
CAPACITY



## 1 x 35 LITRE *HAMPER*

Shallow Depth 350mm Runner  
Minimum Internal Cabinet Dimensions: (WxHxD)mm 403 x 605 x 364  
Runner - Side Mount, 350mm Length  
35kg Dynamic Weight Rating

35L  
CAPACITY



**BENCH OVERHANG CLEARANCE** ConceLO Shallow Depth Bins have been designed for a bench overhang of up to 80mm, allowing the bucket/hamper to clear the bench top. See page 36 for details about our ConceLO accessories.

\*Allows for 16mm shelf. Assumes 16mm carcass.



Hide your laundry, store your extra linen or use as a removable washing basket. Concelo Laundry Hampers can also be integrated into wardrobe cabinetry to discreetly hide laundry.

The large 60L hamper is big enough to cope with a family load of washing, and the 35L hampers maximise space while still offering excellent storage capacity.

Two 60L hampers can be installed side by side in your laundry to separate washing - or choose the 1 x 35L or 2 x 35L hampers when space is at a premium.

Concelo Laundry hampers have been designed to deal with the humidity and moisture of the laundry environment.

The light-weight hampers are easy to remove and feature air vents to reduce moisture and a solid base to prevent drips. The hampers are supported by Clip'n'Clean trays, which are moulded from durable polypropylene, which will never rust or corrode.

### LAUNDRY CHUTE

The Concelo 1 x 60L Laundry Hamper is ideal for use under a laundry chute.

HAMPER OPENING:  
(WxD)mm 320 x 400



## CONCELO HAMPER FEATURES

**COLOUR OPTIONS**  
Available in Arctic White or Cinder.

**MOULDED HAMPER**  
Available in 1 x 35L, 2 x 35L or 1 x 60L

**CLIP 'N' CLEAN TRAY**  
Unique to Hideaway. Eliminates the risk of rust.

**TRUE 6-WAY CAM DOOR ADJUSTMENT**  
and locking bolt system to lock door in position.

**HÄFELE MATRIX RUNNER**  
Concealed, over extension, smooth, synchronised runners - equal to other premium drawers.

**SIDE MOUNTING**  
suits standard size cabinets, System 32 drilling.

**ELECTRONIC PUSH TO OPEN COMPATIBLE**

View how to install Concelo Laundry



SCAN ME

# CONCELO® LAUNDRY HAMPERS

## 1 x 35 LITRE HAMPER

Suitable for Minimum\* Cabinet Width: 350mm  
Minimum Internal Cabinet Dimensions: (WxHxD)mm 318 x 605\*\* x 525  
\*\*Recommended internal height 670mm



CRL350-135D-W

35L  
CAPACITY



CRL350-135D-C



CRL350-135D-W

## 2 x 35 LITRE HAMPERS

Suitable for Minimum\* Cabinet Width: 450mm  
Minimum Internal Cabinet Dimensions: (WxHxD)mm 418 x 605\*\* x 525  
\*\*Recommended internal height 670mm



CRL450-235D-W-1W1C



CRL450-235D-W-2W



CRL450-235D-C-1W1C



CRL450-235D-C-2C

70L  
CAPACITY

## 1 x 60 LITRE HAMPER

Suitable for Minimum\* Cabinet Width: 450mm  
Minimum Internal Cabinet Dimensions: (WxHxD)mm 418 x 590\*\* x 525  
\*\*Recommended internal height 630mm



CRL450-160D-W

60L  
CAPACITY



CRL450-160D-C

**BENCH OVERHANG CLEARANCE** Concelo Laundry Hampers have been designed with over extension drawer runners which allow for a certain bench overhang. CRL450-160D models allow up to 50mm clearance, CRL450-235D models allow up to 40mm clearance and 110mm on CRL350-135D. If more bench overhang clearance is required, please mount the unit lower in the cabinet.  
See page 36 for information about our Concelo Laundry accessories.

\*Allows for 16mm shelf. Assumes 16mm carcass.

**Hideaway**<sup>®</sup>  
compact

**INNOVATIVE AND INTELLIGENTLY CRAFTED,** THE HIDEAWAY COMPACT RANGE SETS THE STANDARD FOR **SMART DESIGN**, REINFORCING HIDEAWAY'S REPUTATION FOR EXCELLENCE.

### NEW - 2025 DESIGN OVERHAUL

The Hideaway Compact Range is designed to maximize storage efficiency, offering the largest bins that fit seamlessly into the smallest spaces—all without compromising on quality.

In mid 2025, the Compact Range underwent a complete refresh and adding two new models to the range. Every aspect of the product design has been revised to make installation faster and easier.



HC240D-W



HC115D-W

# HIDEAWAY™ COMPACT RANGE FEATURES

## MOUNTING OPTIONS

Top- and side-mount options provide flexible installation for optimal positioning. Floor-mount models offer a great retrofit solution for existing cabinets.

The entire range uses System 32 drilling pattern to mount to the sides of the cabinet using high strength Euro screws. Most models now fit straight into standard cabinet widths with 16mm sides.

## BUCKETS

Crafted from recyclable, food-grade polypropylene, each bucket includes a liner holder to keep your bin liner securely in place.

## INSTALLATION OPTIONS

**1. Door Pull – One-Step Action:** The cabinet's front fascia is securely attached to the Hideaway Bin's door bracket, allowing easy access by simply pulling open the cabinet door.

**2. Handle Pull - Two Step Action:** Access the bin by first opening the hinged cupboard door, then pulling out the bin using its built-in handle.

## ELECTRONIC PUSH TO OPEN COMPATIBLE

Only available for models - HC213, HC216, HC215, HC220

## SOFT CLOSE RUNNERS

High quality soft close, over extension, ball bearing runner.

## RUNNER RATING

Dynamic weight loading:

- 30kg - HC115, HC120, HCF115, HCF120
- 45kg - HC235, HC240
- 38kg - all other models

## DURABLE METAL FRAMEWORK

1.0mm zinc treated steel, powder coated for durability.

## NEW TRUE 6-WAY CAM DOOR ADJUSTMENT

1. The True 6-Way CAM Door Adjustment system offers precise vertical and tilt positioning, ensuring a perfectly aligned door.

2. Featuring six locking bolts, this advanced mechanism firmly secures the door in place, delivering enhanced stability and reliability, eliminating the need for post-installation adjustments.

# THE BIGGEST BUCKET FOR THE SMALLEST SPACE.

## SUITABLE FOR:



kitchen



laundry



bathroom



motorhome



residential and commercial

## COLOURS

Door pull models are available in two colours: Arctic White and Cinder.

## PRODUCT CODES

Hideaway Bin codes appear in blue (eg HC215D-C). Use these codes when placing an order for your Hideaway Bin.

## BENCH OVERHANG CLEARANCE

Hideaway Compact Bins are designed with over-extension runners, allowing them to accommodate bench overhangs of up to 40mm when mounted at the top of the cabinet. This feature enables easy removal of the rear bucket without needing to remove the front bucket. For bench overhangs greater than 40mm, the unit can be installed lower within the cabinet to ensure proper functionality.

NZ Patent No. 530285 AUS Patent No. 2004240179  
New Zealand Patent No. 597337



## NEW TRUE 6-WAY CAM DOOR ADJUSTMENT

## HIDEAWAY™ COMPACT MODELS



**1 x 15 litre bucket**  
(WxHxD)mm 268 x 310 x 360

Available in:  
HC115D-W\*/ Door Pull / Arctic White  
HC115D-C/ Door Pull / Cinder  
HC115H-W/ Handle Pull / Arctic White  
Bathroom vanities or motor homes.



**1 x 20 litre bucket**  
(WxHxD)mm 268 x 415 x 360

Available in:  
HC120D-W/ Door Pull / Arctic White  
HC120D-C/ Door Pull / Cinder  
HC120H-W\*/ Handle Pull / Arctic White  
Ideal for cabinets with limited space.



**NEW**

**2 x 13 litre bucket**  
(WxHxD)mm 268 x 310 x 510

Available in:  
HC213D-W/ Door Pull / Arctic White  
HC213D-C\*/ Door Pull / Cinder  
Fits into a 300mm wide carcass. 2 x units can be installed within a 720mm standard carcass height providing a four bin recycling solution. Allows for 16mm shelf.



**NEW**

**2 x 16 litre bucket**  
(WxHxD)mm 268 x 390 x 510

Available in:  
HC216D-W\*/ Door Pull / Arctic White  
HC216D-C/ Door Pull / Cinder  
Fits into a 300mm wide carcass.



**1 x 40 litre bucket**  
(WxHxD)mm 268 x 615 x 440

Available in:  
HC140D-W/ Door Pull / Arctic White  
HC140D-C\*/ Door Pull / Cinder  
HC140H-W/ Handle Pull / Arctic White  
Large bucket capacity for those looking for a single bin waste or recycling solution for areas of limited width. Door pull model ideal for 300mm wide cabinet. Bucket features unique air vent<sup>1</sup> system.



**2 x 15 litre buckets**  
(WxHxD)mm 300 x 310 x 510

Available in:  
HC215D-W/ Door Pull / Arctic White  
HC215D-C\*/ Door Pull / Cinder  
HC215H-W/ Handle Pull / Arctic White  
2 x units can be installed within a 720mm standard carcass height providing a four bin recycling solution. Allows for 16mm shelf.



**2 x 20 litre buckets**  
(WxHxD)mm 300 x 415 x 510

Available in:  
HC220D-W/ Door Pull / Arctic White  
HC220D-C\*/ Door Pull / Cinder  
HC220H-W/ Handle Pull / Arctic White  
Ideal recycling solution for the average family.



**2 x 35 litre buckets**  
(WxHxD)mm 368 x 615 x 520

Available in:  
HC235D-W\*/ Door Pull / Arctic White  
HC235D-C/ Door Pull / Cinder  
HC235H-W/ Handle Pull / Arctic White  
Large 70L capacity, door pull model fits a 400mm wide cabinet. Bucket features unique air vent<sup>1</sup> system.



**2 x 40 litre buckets**  
(WxHxD)mm 418 x 615 x 520

Available in:  
HC240D-W/ Door Pull / Arctic White  
HC240D-C\*/ Door Pull / Cinder  
HC240H-W/ Handle Pull / Arctic White  
Largest available double bin solution - 80L. Bucket features unique air vent<sup>1</sup> system.



**1 x 50 litre bucket**  
(WxHxD)mm 340 x 590 x 440

Available in:  
HC150D-W\*/ Door Pull / Arctic White  
HC150H-W/ Handle Pull / Arctic White  
Ideal for a larger family kitchen. NOTE: Bucket is nominal 50L size, actual capacity is 46L.

**INSTALLATION INSTRUCTIONS** - All measurements given are internal (wall to wall) and are the minimum required to fit each unit.

**IMPORTANT NOTE FOR HANDLE PULL MODELS** - Additional allowance must be made for the width of the bin to clear the door and hinge mechanisms. For top mounted models, installation also requires that the top door hinge be 150mm from the top of the door to allow clearance for the bin handle. See installation drawings in the download section of our website for more information.

\*Pictured Models

## MAXIMIZE SPACE WITH COMPACT FLOOR-MOUNT BINS

When bench-height installation isn't an option, Hideaway offers a range of smart bin solutions designed to mount securely to the base or floor of a cabinet, effortlessly fitting around existing plumbing.

- Single-bucket models are perfect for compact spaces, such as bathroom vanities or tight under-sink areas.

- Double-bucket options provide a convenient waste and recycling solution where space allows.

Installation is quick and straightforward, making these bins an ideal choice for DIY projects or retrofitting existing cabinets. With a fully enclosed, one-piece metal frame, there's no assembly required—just six screws into the cabinet base, and it's ready to use!



HCF215H-W



HCF220H-C

## HIDEAWAY™ COMPACT FLOOR MOUNT MODELS

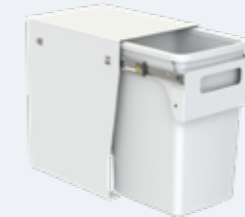


**1 x 15 litre bucket Floor Mounted**  
(WxHxD)mm 268 x 305 x 360

Available in:  
HCF115H-W/ Handle Pull / Arctic White  
HCF115H-C\*/ Handle Pull / Cinder

**COMPACT RANGE FEATURES:**  
Refer page 32

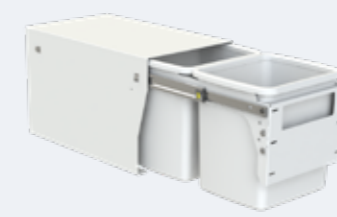
**FLOOR MOUNT INSTALLATION INSTRUCTIONS** - All measurements given are internal (wall to wall) and are the minimum required to fit each unit.



**1 x 20 litre bucket Floor Mounted**  
(WxHxD)mm 268 x 408 x 360

Available in:  
HCF120H-W\*/ Handle Pull / Arctic White  
HCF120H-C/ Handle Pull / Cinder

**IMPORTANT NOTE FOR HANDLE PULL MODELS** - Models HCF115H, HCF120H, HCF215H and HCF220H - if hinges are used that do not allow the door to clear the opening fully, allow an extra 10mm width (check as this may vary).



**2 x 15 litre buckets Floor Mounted**  
(WxHxD)mm 300 x 308 x 510

Available in:  
HCF215D-W\*/ Door Pull / Arctic White  
HCF215D-C/ Door Pull / Cinder  
HCF215H-W/ Handle Pull / Arctic White  
HCF215H-C/ Handle Pull / Cinder



**2 x 20 litre buckets Floor Mounted**  
(WxHxD)mm 300 x 408 x 510

Available in:  
HCF220D-W/ Door Pull / Arctic White  
HCF220D-C/ Door Pull / Cinder  
HCF220H-W/ Handle Pull / Arctic White  
HCF220H-C\*/ Handle Pull / Cinder

# HIDEAWAY™ BIN AND HAMPER ACCESSORIES

## Buckets

Size	Colour	Dimensions (WxHxD) mm
13L		246 x 290 x 246
15L		279 x 290 x 243
16L		246 x 375 x 246
20L		279 x 395 x 243
35L		345 x 600 x 245
40L		382 x 592 x 242
50L		315 x 572 x 367

\*NOTE: 50L bucket is nominal 50L size, actual capacity is 46L.

## Hampers

Size	Colour	Dimensions (WxHxD) mm
35L		345 x 600 x 245
60L		370 x 575 x 465

## Liner Holders

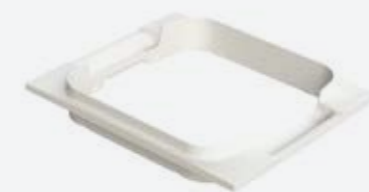
Size	Colour	Dimensions (WxHxD) mm
13L & 16L		250 x 15 x 248
15L & 20L		283 x 15 x 247
35L		348 x 15 x 248
40L		384 x 15 x 244
50L		320 x 15 x 372

## Concelo Clip'n'Clean Trays

Model	Size	Colour	Dimensions (WxHxD) mm
CR350	13L & 16L		294 x 43 x 250
CR350, CRL350	35L		294 x 43 x 500
CR400	15L & 20L		343 x 43 x 250
CR450	35L		393 x 43 x 250
CR600	13L & 16L		271 x 43 x 250
CRL450	60L		393 x 68 x 501

## Concelo Active Lids

Size	Colour	Dimensions (WxHxD) mm
CR350, CR400, CR600		296 x 21 x 504
CR450		396 x 21 x 504



## MORE THAN JUST A BUCKET

Hideaway buckets are **made with 100% virgin polypropylene**, giving them the durability to cope with the tough daily demands of the kitchen environment. The **food-grade polypropylene** material is FDA (U.S.A) approved, meaning Hideaway buckets can be used for bulk food storage of dry food stuffs. At the end of the life-cycle, the bucket and liner holder is **fully recyclable** to minimise environmental impact.

All buckets used in Hideaway Bins come with matching **liner holders**, to hold bin liner bags in place. This not only looks tidy, it keeps your bin liner clean for removal and ensures the liner bags don't slip inside the bucket.

The 35L and 40L buckets feature Hideaway's **patented air vent system**: four U-shaped air vents allow trapped air to escape through the lip of the bucket as you push your bin liner into the bucket cavity. This unique, patented design will **eliminate the frustration of trapped air** restricting your liner, maximising bin liner volume.

AIR ESCAPES THROUGH THE PATENTED VENTS AS YOUR BIN LINER IS PUSHED INTO THE BUCKET CAVITY



† New Zealand Patent No. 597337

## Concelo Top Mount Bracket Kit

Code	Colour	Dimensions (WxHxD) mm
CRTMB		150 x 75 x 40



## Concelo Door Bracket Covers

Code	Colour	Dimensions (WxHxD) mm
CRDBC		59 x 212 x 32
CRDBCL		59 x 212 x 32



Left cover includes Lid Tool slot.

## Concelo Lid Release Tool

Code	Dimensions (WxHxD) mm
CRART	60 x 30 x 8



## Electronic Push to Open Kits

Suitable for Concelo range + Compact HC215D, HC220D models  
Available from leading hardware suppliers.

Concelo is warranted for use with Häfele Grass Sensomatic or Blum Servo Drive systems. See page 15 for more information. Refer to the technical guides on the Hideaway website for installation of electronic systems.

## Push to Open Bracket

Suitable for Concelo Bins & Hampers

To work with electronic push to open systems. Not required in some applications. Refer to the technical guides on the Hideaway website for installation of electronic systems.



NZ MADE  
**HIDEAWAY™ BINS**  
 BY KITCHEN KING®



**100% KIWI OWNED AND OPERATED**

Hideaway Bins are proudly designed and made in New Zealand by Kitchen King Ltd and have a strong local and international reputation for the quality and innovation of our hidden waste, recycling and laundry solutions.

Kitchen King is a 100% family owned and operated business and has been under the direction of the Bertelsen family since 2006. Our company is run with joint directorship by close father and daughter team, Allen and Jamie Bertelsen.

Our team at Kitchen King not only manufacture and distribute Hideaway Bins but have expanded to include research and design, to ensure we are able to release new and innovative products to the market.

With an industry-leading engineering and manufacturing process the team at Kitchen King continue to produce creative solutions for both residential and commercial storage, waste and recycling requirements.

**Sustainable Design**

Hideaway bins has always focused on designing quality products that are robust and durable. Because they are built to last, Hideaway Bins do not need to be replaced prematurely and are a more sustainable use of resources. We design our bins so that they can either be repaired or components like plastic buckets can be fully recycled at the end of their life.

**Responsible Manufacturing**

We have put a number of different practices into place to ensure that our environmental impact is reduced. This includes recycling waste and packaging during manufacturing and eliminating polystyrene from our packaging.

**Global GreenTag Certification**

Hideaway Bins are delighted to have achieved Global GreenTag™ GreenRate Level C certification for our Hideaway Compact waste bins, Concelo waste bins and Concelo laundry hampers.



**Advocates for Change**

We are passionate advocates for enabling better waste behaviours at work and at home. Through smart design and education, we help our customers reduce the amount of waste that goes to landfill, and increase the amount that is diverted to recycling or composting.

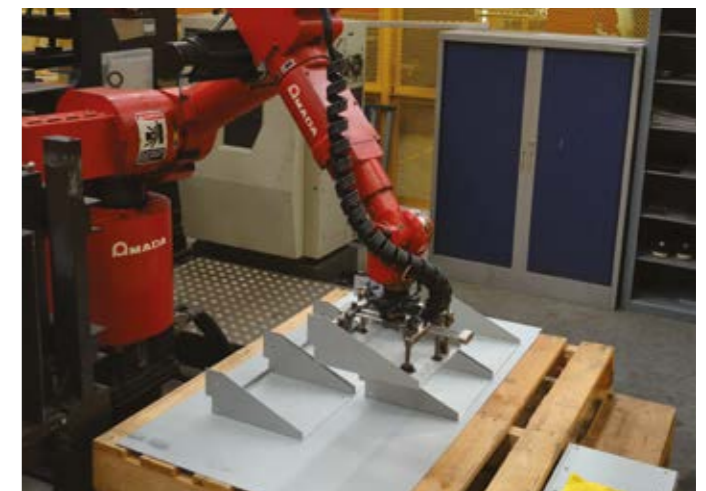
Go to [hideawaybins.co.nz/sustainability](https://hideawaybins.co.nz/sustainability) to learn more.

**METAL COMPONENTS**

Hideaway Bins work closely with New Zealand's leading sheet metal manufacturers and aluminium extruders to produce our metal components.

We use electro-galvanised steel for our sheet metal components. This has a smooth consistent thin layer of zinc to provide corrosion resistance and has a consistent surface for an excellent finish when powder coated.

Our sheet metal suppliers utilise cutting edge sheet metal technology, including fibre laser cutters, turret punches, CNC folders and laser welding. This delivers high quality precision components which ensures the quality and reliability of all Hideaway Bins.



**UNIQUE POWDER COATING**

All metal components are powder coated to provide a tough yet attractive finish. To improve the overall resistance of the coating, all individual metal parts undergo an iron phosphate pre-treatment and are then subjected to an acidic bath.

The powder coat is then electrostatically charged to ensure even coverage, and applied manually using a hand gun to ensure maximum coverage. The powder coating is then cured under heat to allow it to form a hard finish.

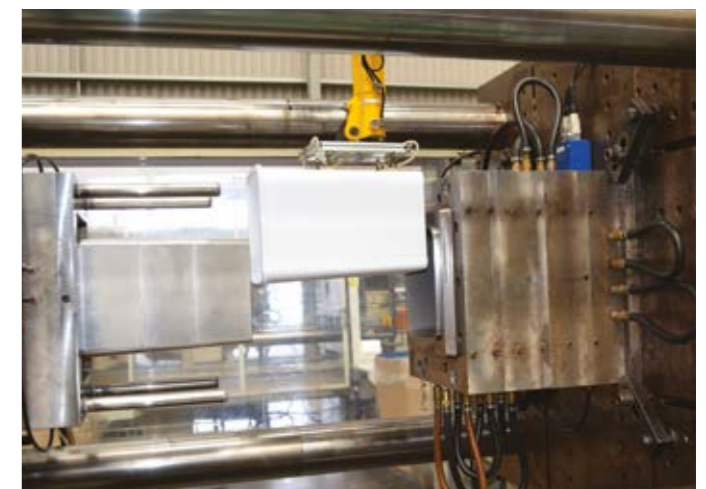


**PLASTIC COMPONENTS**

We partner closely with leading plastic injection moulding suppliers. This gives us access to specialist skills and manufacturing machinery, allowing full control over the plastic injection moulding processes ensuring Hideaway Bins stringent quality standards are met.

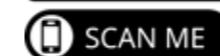
All plastic components are made using virgin material for maximum durability. While using virgin material is more expensive, it means the strength of the components are not compromised by using fillers. At the end of their life, all parts are all fully recyclable to ensure minimal environmental impact.

Our buckets are made using a food-grade polypropylene material which is FDA (U.S.A) approved meaning they can also be used to store dry food stuffs.



**BIN ASSEMBLY**

Once all Hideaway Bin components are ready for assembly, our product technicians assemble the bins at our warehouse in Silverdale, Auckland, NZ. This assembly process allows for all parts to be checked to ensure the highest quality end product.



Learn more about Hideaway



  
**Hideaway®**

**Concelo®**

BY HIDEAWAY

[hideawaybins.co.nz](http://hideawaybins.co.nz)  
 (09) 426 7456



**Manufactured by Kitchen King Limited**

44 Anvil Road, Silverdale,  
 Auckland 0932,  
 New Zealand  
 Ph: 09 426 7456

**Australia**

Freephone 1800 042 642  
[info@hideawaybins.co.nz](mailto:info@hideawaybins.co.nz)

## HOW TO ORDER

Homeowners can purchase bins and accessories from our website.  
 Trade customers can purchase Hideaway Bins from our distribution partners.

OUR NATIONAL DISTRIBUTOR:

**HAFELE** [hafele.co.nz](http://hafele.co.nz)  
 0800 4 HAFELE (442 3353)

OUR REGIONAL DISTRIBUTORS:

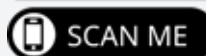
**CARTERS** Joinery Supplies [carters.co.nz](http://carters.co.nz)  
 0800 CARTERS (227 8377)

ROSE CITY WOOD PANELS  
**Industry HQ**  
PANEL & HARDWARE [industryhq.co.nz](http://industryhq.co.nz)  
 06 952 4638

**NZ Panels Group** [nzpanels.co.nz](http://nzpanels.co.nz)  
 0800 477 463

FIND OUT MORE ABOUT HIDEAWAY BINS:

Scan the QR code to learn more about Hideaway



Scan the QR code to learn more about Concelo



Patents & Trademarks: [concelo.com/ip](http://concelo.com/ip)

Hideaway bins are designed and manufactured in New Zealand. Kitchen King® Limited reserve the rights to this brochure under copyright law. It shall not be permissible to duplicate this brochure in any form, either in whole or in part, without our written consent. Subject to technical alterations. Errors and omissions excepted 2026/2027.